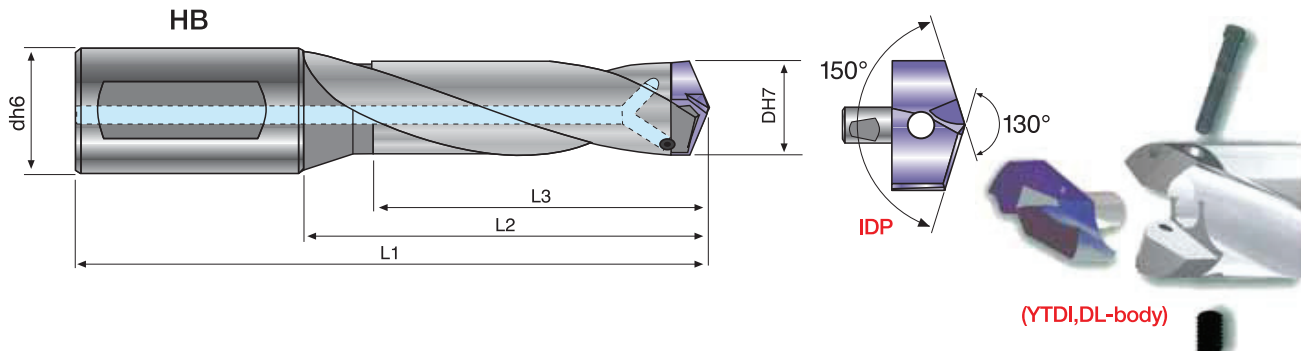


Yes Drills - YTDI



MODELLO : Punta Tipo Modulare, attacco cilindrico **3XD-5XD-7XD** con inserto in metallo duro ricoperto intercambiabile
 MODEL : Drill modular type, cylindrical shank **3XD-5XD-7XD** with interchangeable insert in solid carbide coated
 MODELL : Vollbohrer, zylindrischer Schaft **3XD-5XD-7XD** mit austauschbarer Hartmetall-Wendeplatte, beschichtet



N.B.: È IMPORTANTE SOSTITUIRE IL GRANO IN DOTAZIONE OGNI VOLTA CHE SI SOSTITUISCE LA CUSPIDE.
N.B.: IT'S IMPORTANT ALWAYS TO REPLACE THE SCREW GIVEN IN THE EQUIPMENT EVERY TIME THAT THE INSERT HAS TO BE CHANGED.
N.B.: ES IST WICHTIG, WENN DIE WENDEPLATTE AUSGETAUSCHT WIRD, DIE SCHRAUBE, IMMER ZU ERSETZEN.

Materiale e condizioni di taglio Material and cutting conditions Material und Schneidebedingungen	Ø 8 - 16		Ø 16 - 25		Ø 25 - 32		Ø 32 - 40		Ø 40 - 50	
	m/min.	mm/rev	m/min.	mm/rev	m/min.	mm/rev	m/min.	mm/rev	m/min.	mm/rev
Ghisa grigia malleabile Gray cast iron Formbares Graugusseisen (FC)	80 - 150	0,20 - 0,30	80 - 150	0,25 - 0,45	80 - 160	0,35 - 0,55	90 - 200	0,34 - 0,58	90 - 200	0,38 - 0,60
Ghisa Nodulare carbonio Nodular cast iron Kohlenstoff-Nodulargusseisen (FCD)	80 - 140	0,15 - 0,25	80 - 140	0,22 - 0,45	80 - 150	0,32 - 0,52	90 - 160	0,35 - 0,62	90 - 200	0,38 - 0,60
Acciaio al carbonio Carbon steel Karbonstahl (S45C)	80 - 140	0,15 - 0,30	80 - 140	0,16 - 0,40	80 - 150	0,20 - 0,40	80 - 150	0,22 - 0,48	80 - 160	0,25 - 0,54
Acciaio legato Alloyed steel Legierter Stahl (SCM440)	70 - 140	0,15 - 0,30	70 - 140	0,15 - 0,40	70 - 140	0,18 - 0,40	80 - 140	0,25 - 0,47	80 - 140	0,27 - 0,52
Acciaio da tempra Hardened steel Gehaerteter Stahl (SKD11)	40 - 50	0,10 - 0,20	40 - 50	0,12 - 0,28	40 - 50	0,16 - 0,35	40 - 60	0,20 - 0,38	40 - 60	0,22 - 0,42
Acciaio Inox Stainless steel Rostfreier Stahl (SUS)	30 - 40	0,10 - 0,20	35 - 50	0,10 - 0,22	35 - 50	0,15 - 0,28	40 - 55	0,18 - 0,30	40 - 55	0,22 - 0,32
Alluminio 130 HB Aluminium 130 HB Aluminium 130 HB (AL)	120 - 200	0,20 - 0,30	120 - 200	0,25 - 0,40	120 - 200	0,30 - 0,45	120 - 200	0,30 - 0,45	120 - 200	0,30 - 0,50

N.B.: La punta **YTDI** è realizzata in acciaio particolarmente pregiato e resistente all'usura e può essere riutilizzata per lunghissimo tempo. Le lunghezze utili sono **3 - 5 o 7 volte il diametro**. **T= 3 volte il diametro**. **P= 5 volte il diametro**. **H= 7 volte il diametro**. Questi dati sono raccomandati per le punte 3xD e dovrebbero essere ridotti del 15% / 20% per le 5xD e le 7xD. I dati sono normalmente suggeriti per una condizione di lubrificazione MQL misto olio e se l'ambiente macchina è sicuro (fissaggio ecc...) sono corretti anche per altre condizioni normali.

N.B.: The **YTDI** drill is made of excellent steel and especially wear-resistant and can be used for a very long time. The flute length is **3 - 5 or 7 times the diameter**. **T= 3 times the diameter**. **P= 5 times the diameter**. **H= 7 times the diameter**. This data is recommended for 3xD and should be reduced about 15-20% for 5xD & 7xD drills, the data is normally suggested for oil-mist (MQL) coolant condition and also possible to run in other normal condition if machining environment like clamping etc. are secured in good.

N.B.: Der Vollbohrer **YTDI** ist aus hochwertigem und gegen Abnutzung besonders widerstandsfaehigem Stahl und kann sehr lange Zeit verwendet werden. Die Spiral-länge ist **3 - 5 oder 7 mal den Durchmesser** erhaeltlich. **T= 3 mal Durchmesser**. **P= 5 mal Durchmesser**. **H= 7 mal Durchmesser**. Diese schnittdaten sind für die 3xD Bohrer empfohlen und sollen von 15% - 20% für 5xD und 8xD verkürzt sein. Die Daten sind normaler weise empfohlen für MQV Kühlung Bedigung, und es ist möglich diese auch in anderen normalen Bedigungen benutzen.

NOVITÀ
NEU
NEW

Cod. d'ordine Bestell-Nr. Order No.	mm dh6	Dimensioni - Abmessungen - Dimensions									Inserti d1 h7 Wendeplatte d1 h7 Insert d1 h7					M 2 (2,5) M 2 (3,0) M 2 (4,0) M 2,5 (4,0) M 3 (5,0)	0,9 1,3 1,5	M 1,6-080 M 1,6-085 M 1,6-090 M 1,6-095 M 1,6-100 M 1,6-105 M 1,6-110 M 1,6-115 M 1,6-120 M 1,6-125 M 1,6-130 M 1,6-135 M 1,6-140 M 1,6-145 M 2 - 150 M 2 - 155	Slot (-) T6	
		T (3 x Dia.)			P (5 x Dia.)			H (7 x Dia.)			ID	IDP	ID	ID	ID					
		L1	L2	L3	L1	L2	L3	L1	L2	L3										
YTDI 080	10,0 (HA)	80	35	24	96	51	40	117	72	56	ID 08.0	ID 08.1	ID 08.2	ID 08.3	ID 08.4	M 2 (2,5)	0,9	M 1,6-080	Slot (-)	
YTDI 085		82	37	26	100	55	45	122	77	60	ID 08.5	ID 08.6	ID 08.7	ID 08.8	ID 08.9					M 1,6-085
YTDI 090		85	40	27	105	60	47	126	81	67	ID 09.0	ID 09.1	ID 09.2	ID 09.3	ID 09.4					M 1,6-090
YTDI 095	12,0 (HA)	95	47	37	115	67	57	140	92	77	ID 09.5	ID 09.6	ID 09.7	ID 09.8	ID 09.9	M 2 (3,0)	0,9	M 1,6-095	Slot (-)	
YTDI 100		100	52	42	125	77	67	150	102	87	ID 10.0	ID 10.1	ID 10.2	ID 10.3	ID 10.4					M 1,6-100
YTDI 105		105	57	47	130	82	72	160	112	98	ID 10.5	ID 10.6	ID 10.7	ID 10.8	ID 10.9					M 1,6-105
YTDI 110	16,0	110	62	48	140	92	77	175	127	102	ID 11.0	ID 11.1	ID 11.2	ID 11.3	ID 11.4	M 2 (4,0)	0,9	M 1,6-110	Slot (-)	
YTDI 115		115	67	52	145	97	82	180	132	107	ID 11.5	ID 11.6	ID 11.7	ID 11.8	ID 11.9					M 1,6-115
YTDI 120 DL		120	72	57	150	102	92	190	142	117	IDP 12.0	IDP 12.1	IDP 12.2	IDP 12.3	IDP 12.4					M 1,6-120
YTDI 125 DL	20,0	110	62	48	140	92	77	175	127	102	IDP 12.5	IDP 12.6	IDP 12.7	IDP 12.8	IDP 12.9	M 2,5 (4,0)	1,3	M 1,6-125	Slot (-)	
YTDI 130 DL		110	62	48	140	92	77	175	127	102	IDP 13.0	IDP 13.1	IDP 13.2	IDP 13.3	IDP 13.4					M 1,6-130
YTDI 135 DL		115	67	52	145	97	82	180	132	107	IDP 13.5	IDP 13.6	IDP 13.7	IDP 13.8	IDP 13.9					M 1,6-135
YTDI 140 DL	20,0	115	67	52	145	97	82	180	132	107	IDP 14.0	IDP 14.1	IDP 14.2	IDP 14.3	IDP 14.4	M 3 (5,0)	1,5	M 1,6-140	Slot (-)	
YTDI 145 DL		125	75	55	148	98	85	185	135	117	IDP 14.5	IDP 14.6	IDP 14.7	IDP 14.8	IDP 14.9					M 1,6-145
YTDI 150 DL		125	75	55	158	108	95	185	135	117	IDP 15.0	IDP 15.1	IDP 15.2	IDP 15.3	IDP 15.4					M 2 - 150
YTDI 155 DL	125	75	55	158	108	95	185	135	117	IDP 15.5	IDP 15.6	IDP 15.7	IDP 15.8	IDP 15.9	M 2 - 155					

Yes Drills - YTDI



NOVITÀ
NEU
NEW

Cod. d'ordine Bestell-Nr. Order No.	mm dh6	Dimensioni - Abmessungen - Dimensions									Inserti d1 h7 Wendeplatte d1 h7 Insert d1 h7					M	T	M											
		T (3 x Dia.)			P (5 x Dia.)			H (7 x Dia.)			ID	IDP	ID	IDP															
		L1	L2	L3	L1	L2	L3	L1	L2	L3																			
YTDI 160 DL	20,0	130	80	55	160	110	97	190	140	123	IDP16.0	IDP16.1	IDP16.2	IDP16.3	IDP16.4	M 3 (6,0)	1,5	M 2-160											
YTDI 165 DL											IDP16.5	IDP16.6	IDP16.7	IDP16.8	IDP16.9			M 2-165											
YTDI 170 DL		130	80	55	160	110	99	200	150	128	IDP17.0	IDP17.1	IDP17.2	IDP17.3	IDP17.4			M 2-170											
YTDI 175 DL											IDP17.5	IDP17.6	IDP17.7	IDP17.8	IDP17.9			M 2-175											
YTDI 180 DL		140	90	63	170	120	100	210	160	138	IDP18.0	IDP18.1	IDP18.2	IDP18.3	IDP18.4			M 2-180											
YTDI 185 DL											IDP18.5	IDP18.6	IDP18.7	IDP18.8	IDP18.9			M 2-185											
YTDI 190 DL	140										90	63	170	120	100	210	160	138	IDP19.0	IDP19.1	IDP19.2	IDP19.3	IDP19.4	M 2-190					
YTDI 195 DL																			IDP19.5	IDP19.6	IDP19.7	IDP19.8	IDP19.9	M 2-195					
YTDI 200 DL	25,0										150	94	69	190	134	110	230	174	153	IDP20.0	IDP20.1	IDP20.2	IDP20.3	IDP20.4	M 4 (6,0)	2,0	M 2.5-200		
YTDI 205 DL																				IDP20.5	IDP20.6	IDP20.7	IDP20.8	IDP20.9			M 2.5-205		
YTDI 210 DL		150	94	69	190	134	110	230	174	153										IDP21.0	IDP21.1	IDP21.2	IDP21.3	IDP21.4			M 2.5-210		
YTDI 215 DL																				IDP21.5	IDP21.6	IDP21.7	IDP21.8	IDP21.9			M 2.5-215		
YTDI 220 DL		160	104	75	200	144	121	240	184	168										IDP22.0	IDP22.1	IDP22.2	IDP22.3	IDP22.4			M 4 (8,0)	2,0	M 2.5-220
YTDI 225 DL																				IDP22.5	IDP22.6	IDP22.7	IDP22.8	IDP22.9					M 2.5-225
YTDI 230 DL	160										104	75	200	144	121	240	184	168	IDP23.0	IDP23.1	IDP23.2	IDP23.3	IDP23.4	M 2.5-230					
YTDI 235 DL																			IDP23.5	IDP23.6	IDP23.7	IDP23.8	IDP23.9	M 2.5-235					
YTDI 240 DL	32,0										170	110	83	220	160	133	270	210	183	IDP24.0	IDP24.1	IDP24.2	IDP24.3	IDP24.4	M 5 (8,0)	2,5			M 3-240
YTDI 245 DL																				IDP24.5	IDP24.6	IDP24.7	IDP24.8	IDP24.9					M 3-245
YTDI 250 DL		170	110	83	220	160	133	270	210	183										IDP25.0	IDP25.1	IDP25.2	IDP25.3	IDP25.4			M 3-250		
YTDI 255 DL																				IDP25.5	IDP25.6	IDP25.7	IDP25.8	IDP25.9			M 3-255		
YTDI 260 DL		180	120	90	240	180	144	290	230	198										IDP26.0	IDP26.1	IDP26.2	IDP26.3	IDP26.4			M 5 (10,0)	3,0	M 3-260
YTDI 265 DL																				IDP26.5	IDP26.6	IDP26.7	IDP26.8	IDP26.9					M 3-265
YTDI 270 DL	180										120	90	240	180	144	290	230	198	IDP27.0	IDP27.1	IDP27.2	IDP27.3	IDP27.4	M 3-270					
YTDI 275 DL																			IDP27.5	IDP27.6	IDP27.7	IDP27.8	IDP27.9	M 3-275					
YTDI 280 DL	190										130	97	250	190	155	300	240	213	IDP28.0	IDP28.1	IDP28.2	IDP28.3	IDP28.4	M 5 (10,0)	2,5	M 3-280			
YTDI 285 DL																			IDP28.5	IDP28.6	IDP28.7	IDP28.8	IDP28.9			M 3-285			
YTDI 290 DL		190	130	97	250	190	155	300	240	213									IDP29.0	IDP29.1	IDP29.2	IDP29.3	IDP29.4			M 3-290			
YTDI 295 DL																			IDP29.5	IDP29.6	IDP29.7	IDP29.8	IDP29.9			M 3-295			
YTDI 300 DL		200	140	105	260	200	165	320	260	228									IDP30.0	IDP30.1	IDP30.2	IDP30.3	IDP30.4			M 6 (10,0)	3,0	M 4-300	
YTDI 305 DL																			IDP30.5	IDP30.6	IDP30.7	IDP30.8	IDP30.9					M 4-305	
YTDI 310 DL	200										140	105	260	200	165	320	260	228	IDP31.0	IDP31.1	IDP31.2	IDP31.3	IDP31.4	M 4-310					
YTDI 315 DL																			IDP31.5	IDP31.6	IDP31.7	IDP31.8	IDP31.9	M 4-315					
YTDI 320 DL	210										150	110	270	210	177	340	280	243	IDP32.0	IDP32.1	IDP32.2	IDP32.3	IDP32.4	M 6 (12,0)	3,0			M 4-320	
YTDI 325 DL																			IDP32.5	IDP32.6	IDP32.7	IDP32.8	IDP32.9					M 4-325	
YTDI 330 DL		210	150	110	270	210	177	340	280	243									IDP33.0	IDP33.1	IDP33.2	IDP33.3	IDP33.4			M 4-330			
YTDI 335 DL																			IDP33.5	IDP33.6	IDP33.7	IDP33.8	IDP33.9			M 4-335			
YTDI 340 DL		230	160	118	300	230	188	360	290	258									IDP34.0	IDP34.1	IDP34.2	IDP34.3	IDP34.4			M 6 (12,0)	3,0	M 4-340	
YTDI 345 DL																			IDP34.5	IDP34.6	IDP34.7	IDP34.8	IDP34.9					M 4-345	
YTDI 350 DL	230										160	118	300	230	188	360	290	258	IDP35.0	IDP35.1	IDP35.2	IDP35.3	IDP35.4	M 4-350					
YTDI 355 DL																			IDP35.5	IDP35.6	IDP35.7	IDP35.8	IDP35.9	M 4-355					
YTDI 360 DL	250										180	125	310	240	199	380	310	273	IDP36.0	IDP36.1	IDP36.2	IDP36.3	IDP36.4	M 8 (12,0)	4,0			M 4-360	
YTDI 365 DL																			IDP36.5	IDP36.6	IDP36.7	IDP36.8	IDP36.9					M 4-365	
YTDI 370 DL		250	180	125	310	240	199	380	310	273									IDP37.0	IDP37.1	IDP37.2	IDP37.3	IDP37.4			M 4-370			
YTDI 375 DL																			IDP37.5	IDP37.6	IDP37.7	IDP37.8	IDP37.9			M 4-375			
YTDI 380 DL		250	180	132	320	250	210	400	330	288									IDP38.0	IDP38.1	IDP38.2	IDP38.3	IDP38.4			M 8 (12,0)	4,0	M 4-380	
YTDI 385 DL																			IDP38.5	IDP38.6	IDP38.7	IDP38.8	IDP38.9					M 4-385	
YTDI 390 DL	250										180	132	320	250	210	400	330	288	IDP39.0	IDP39.1	IDP39.2	IDP39.3	IDP39.4	M 4-390					
YTDI 395 DL																			IDP39.5	IDP39.6	IDP39.7	IDP39.8	IDP39.9	M 4-395					
YTDI 400 DL	40,0										270	200	340	270	221	420	350	303	IDP40.0	IDP40.1	IDP40.2	IDP40.3	IDP40.4	M 8 (12,0)	4,0			M 4-400	
YTDI 405 DL																			IDP40.5	IDP40.6	IDP40.7	IDP40.8	IDP40.9					M 4-405	
YTDI 410 DL		270	200	138	340	270	221	420	350	303									IDP41.0	IDP41.1	IDP41.2	IDP41.3	IDP41.4			M 4-410			
YTDI 415 DL																			IDP41.5	IDP41.6	IDP41.7	IDP41.8	IDP41.9			M 4-415			
YTDI 420 DL		270	200	145	340	270	232	420	350	318									IDP42.0	IDP42.1	IDP42.2	IDP42.3	IDP42.4			M 8 (12,0)	4,0	M 4-420	
YTDI 425 DL																			IDP42.5	IDP42.6	IDP42.7	IDP42.8	IDP42.9					M 4-425	
YTDI 430 DL	270										200	145	340	270	232	420	350	318	IDP43.0	IDP43.1	IDP43.2	IDP43.3	IDP43.4	M 4-430					
YTDI 435 DL																			IDP43.5	IDP43.6	IDP43.7	IDP43.8	IDP43.9	M 4-435					
YTDI 440 DL	280										210	153	370	300	243	460	390	333	IDP44.0	IDP44.1	IDP44.2	IDP44.3	IDP44.4	M 8 (12,0)	4,0			M 4-440	
YTDI 445 DL																			IDP44.5	IDP44.6	IDP44.7	IDP44.8	IDP44.9					M 4-445	
YTDI 450 DL		280	210	153	370	300	243	460	390	333									IDP45.0	IDP45.1	IDP45.2	IDP45.3	IDP45.4			M 4-450			
YTDI 455 DL																			IDP45.5	IDP45.6	IDP45.7	IDP45.8	IDP45.9			M 4-455			
YTDI 460 DL		280	210	160	370	300	255	460	390	348									IDP46.0	IDP46.1	IDP46.2	IDP46.3	IDP46.4			M 8 (12,0)	4,0	M 4-460	
YTDI 465 DL																			IDP46.5	IDP46.6	IDP46.7	IDP46.8	IDP46.9					M 4-465	
YTDI 470 DL	280										210	160	370	300	255	460	390	348	IDP47.0	IDP47.1	IDP47.2	IDP47.3	IDP47.4	M 4-470					
YTDI 475 DL																			IDP47.5	IDP47.6	IDP47.7	IDP47.8	IDP47.9	M 4-475					
YTDI 480 DL	300										230	167	390	320	265	490	420	363	IDP48.0	IDP48.1	IDP48.2	IDP48.3	IDP48.4	M 8 (12,0)	4,0			M 4-480	
YTDI 485 DL																			IDP48.5	IDP48.6	IDP48.7	IDP48.8	IDP48.9					M 4-485	
YTDI 490 DL		300	230	167	390	320	265	490	420	363									IDP49.0	IDP49.1	IDP49.2	IDP49.3	IDP49.4			M 4-490			
YTDI 495 DL																			IDP49.5	IDP49.6	IDP49.7	IDP49.8	IDP49.9			M 4-495			
YTDI 500 DL		300	230	167	390	320	265	490	420	363									IDP50.0	IDP50.1	IDP50.2	IDP50.3	IDP50.4			M 4-500			